

特點：

1. 适应于自动贴装的高尺寸精度绕线电感器；
2. 良好的可焊性；
3. 耐热树脂封装，有优良的机械强度；
4. 优良的Q值和高可靠性；
5. 使用于液晶电视、电脑驱动器、移动电话、汽车音响和其他电子产品

FEATURES

1. A wirewound inductor with accurate dimension is suit for automatic surface mounting.
2. Excellent solderability.
3. Constructed of heat - resistant molded resin having excellent mechanical strength.
4. Excellent q value and high reliability.
5. Used in liquid crystal television sets, computer drives, mobile phone, car audio equipment and other electronic appliances.

產品型號代號 ORDERING CODE

例 Ex. :  $\frac{\text{MLFB}}{\textcircled{1}}$      $\frac{322522}{\textcircled{2}}$      $\frac{6R8}{\textcircled{3}}$      $\frac{K}{\textcircled{4}}$      $\frac{T}{\textcircled{5}}$

① 類別碼 TYPE CODE

② 外形與尺寸碼 FIGURE AND DIMENSIONS CODE(MM)

型號 Type	A	B	C	D
322522	3.2±0.2	2.5±0.2	2.2±0.2	1.30±0.10
453232	4.5±0.2	3.2±0.2	3.2±0.2	1.70±0.10

③ 標稱電感值碼 NOMINAL INDUCTANCE CODE

R47	6R8	101	102
0.47 μH	6.8 μH	100 μH	1000 μH

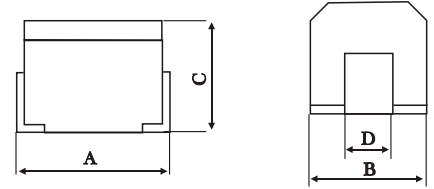
④ 電感值允許偏差碼 INDUCTANCE TOLERANCE CODE

K	M
±10%	±20%

片式固定電感器 CHIP FIXED INDUCTORS

⑤ 包裝形式 PACKAGE

B	T
散装 Bulk	卷装编带 Tape & Reel



技術參數 TECHNICAL REQUIREMENTS

MLFB322522型 TYPE

規格 Specs.	標稱電感值 Nominal Inductance ( $\mu$ h)	標稱電感值偏差 Inductance Tolerance	Q Min	測式頻率 Measuring Frequency (mhz)	自諧頻率 Self-resonant Frequency (mhz)Min	直流電阻 Dc Resistance ( $\Omega$ )Max	額定電流 Rated Current (ma)
322522-1R0K	1.0	10%	30	7.960	120	0.70	400
322522-1R2K	1.2				100	0.75	390
322522-1R5K	1.5				85	0.85	370
322522-1R8K	1.8				80	0.90	350
322522-2R2K	2.2				75	1.00	320
322522-2R7K	2.7				70	1.10	290
322522-3R3K	3.3				60	1.20	260
322522-3R9K	3.9				55	1.30	250
322522-4R7K	4.7				50	1.50	220
322522-5R6K	5.6				47	1.60	200
322522-6R8K	6.8				43	1.80	180
322522-8R2K	8.2				40	2.00	170
322522-100K	10				36	2.10	150
322522-120K	12				33	2.50	140
322522-150K	15				30	2.80	130
322522-180K	18				27	3.30	120
322522-220K	22				25	3.70	110
322522-270K	27				20	5.00	80
322522-330K	33				17	5.60	70
322522-390K	39				16	6.40	65
322522-470K	47		15	7.00	60		
322522-560K	56		13	8.00	55		
322500-680K	68		12	9.00	50		
322522-820K	82		11	10.0	45		
322522-101K	100		10	10.0	40		
322522-121K	120		10	11.0	70		
322522-151K	150		8	15.0	65		
322522-181K	180		7	17.0	60		
322522-221K	220		7	21.0	50		
			20	0.796			

■ 片式固定電感器 CHIP FIXED INDUCTORS

技術參數 TECHNICAL REQUIREMENTS

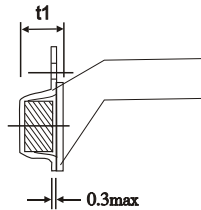
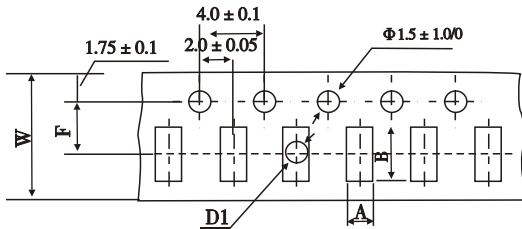
MLFB453232型 TYPE

規格 Specs.	標稱電感值 Nominal Inductance ( $\mu$ h)	標稱電感值偏差 Inductance Tolerance	Q Min	測試頻率 Measuring Frequency (mhz)	自諧頻率 Self-resonant Frequency (mhz)Min	直流電阻 Dc Resistance ( $\Omega$ )Max	額定電流 Rated Current (ma)	
453232-R47M	0.47	20%	30	25.2	220	0.50	450	
453232-R56M	0.56				180	0.55	450	
453232-R68M	0.68				160	0.60	450	
453232-R82M	0.82				140	0.67	450	
453232-1R0K	1.0	10%	50	7.960	100	0.50	450	
453232-1R2K	1.2				80	0.55	430	
453232-1R5K	1.5				70	0.60	410	
453232-1R8K	1.8				60	0.65	390	
453232-2R2K	2.2				55	0.70	380	
453232-2R7K	2.7				50	0.75	370	
453232-3R3K	3.3				45	0.80	355	
453232-3R9K	3.9				40	0.90	330	
453232-4R7K	4.7			35	1.00	315		
453232-5R6K	5.6			33	1.10	300		
453232-6R8K	6.8			27	1.20	285		
453232-8R2K	8.2			25	1.40	270		
453232-100K	10			2.520	2.520	20	1.60	250
453232-120K	12					18	2.00	225
453232-150K	15					17	2.50	200
453232-180K	18					15	2.80	190
453232-220K	22	13	3.20			180		
453232-270K	27	12	3.60			170		
453232-330K	33	11	4.00			160		
453232-390K	39	10	4.50			150		
453232-470K	47	10	5.00	140				
453232-560K	56	9	5.50	135				
453232-680K	68	9	6.00	130				
453232-820K	82	8	7.00	120				
453232-101K	100	40	40	7	8.00	110		
453232-121K	120			6	8.00	110		
453232-151K	150			5	9.00	105		
453232-181K	180			5	9.50	102		
453232-221K	220	30	30	4	12.0	100		
453232-271K	270			3	18.0	90		
453232-331K	330			3	20.0	85		
453232-391K	390			3	23.0	80		
453232-471K	470			3	26.0	62		
453232-561K	560			2	30.0	50		
453232-681K	680			2	40.0	50		
453232-821K	820			2	45.0	30		
453232-102K	1000	2	50.0	30				

片式固定電感器 CHIP FIXED INDUCTORS

包裝形式 PACKAGING AND DIMENSIONS(mm)

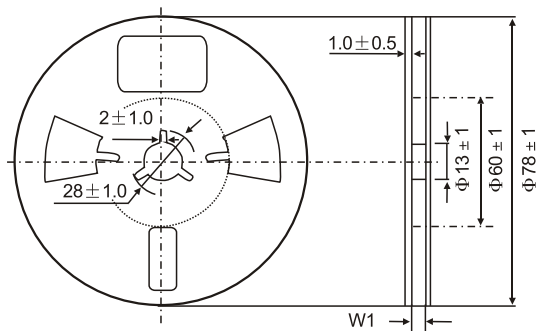
● 編帶尺寸 Blister Tape Dimensions(mm)



編帶材料: Tape Material  
 盛裝帶 Carrier Tape: 聚苯乙烯 Polystyrene  
 蓋封帶 Cover Tape: 聚乙烯 Polyethylene

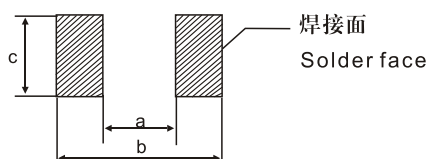
型號 Type	A	B	W	F	t1	D1
MLFB322522	2.90±0.10	3.60±0.20	8.00±0.30	3.50±0.10	2.50±0.10	1.1max
MLFB453232	3.60±0.10	4.90±0.20	12.0±0.30	5.50±0.10	3.50±0.10	1.10max

● 編帶包裝及包裝數量 Tape Package And Package Quantity



型號 Type	每盤數量 (只/pcs) Tape/Reel	重量 (g) Weight	W1 (mm)
MLFB322522	2000	190	9
MLFB453232	500	100	13

● 推薦安裝尺寸 Recommended Layout



型號 Type	A	B	C
MLFB322522	1.6~2.0	4.0~4.6	2.0~2.4
MLFB453232	2.2~2.6	5.0~6.0	2.0~3.0